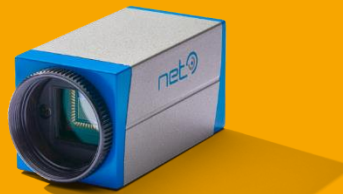


GigEPRO

Compact vision solution with integrated image processing



TECHNICAL DATA

Camera model	Sensor type	Image sensor	Resolution [px]	Format	Frames per second	Pixel size [µm]	Shutter
GP4136M	monochrome	EV76C560	1280 x 1024	1/1.8"	61	5.3	G, R, GR
GP4136IR	monochrome / NIR	EV76C661	1280 x 1024	1/1.8"	61	5.3	G, R, GR
GP4136C	color	EV76C560	1280 x 1024	1/1.8"	61	5.3	G, R, GR
GP4206M	monochrome	EV76C570	1600 x 1200	1/1.8"	52	4.5	G, R, GR
GP4206C	color	EV76C570	1600 x 1200	1/1.8"	52	4.5	G, R, GR
GP2239M	monochrome	IMX174	1920 x 1200	1/1.2"	50	5.86	G
GP2239C	color	IMX174	1920 x 1200	1/1.2"	50	5.86	G
GP2238M	monochrome	IMX249	1920 x 1200	1/1.2"	38	5.86	G
GP2238C	color	IMX249	1920 x 1200	1/1.2"	38	5.86	G
GP2507M	monochrome	IMX264	2448 x 2048	2/3"	22	3.45	G
GP2507C	color	IMX264	2448 x 2048	2/3"	22	3.45	G
GP2507Z	monochrome	IMX264MZR	2448 x 2048	2/3"	22	3.45	G
GP2646M	monochrome	IMX178	3072 x 2048	1/1.8"	17*	2.4	RGR
GP2646C	color	IMX178	3072 x 2048	1/1.8"	17*	2.4	RGR
GP1504M	monochrome	AR0521	2592 x 1944	1/2.5"	28	2.2	R
GP1504C	color	AR0521	2592 x 1944	1/2.5"	28	2.2	R

Legend:

R: rolling / G: global / GR: global reset / RGR: rolling mit global reset

Lens mount	C, CS
Scanning system	Progressive
Trigger	External, software
Strobe	Sensor, trigger, software
Interface	Gigabit Ethernet according to GigE Vision standard / 1 Gbps
Dimensions (WxHxD) [mm]	30 x 30 x 56
Weight [g]	68
Power consumption [W]	2.5 to 4 (hardware specific)
Operating temperature [°C]	0 to +45
Power supply	PoE or 9-24VDC on AUX connector
Cable connector	8 pin (9-24 VDC + digital I/O)
Digital input/output	Opto decoupled (3.3 to 24 V), single input (hardware trigger), dual output (hardware strobe)



GigEPRO

Compact vision solution with integrated image processing



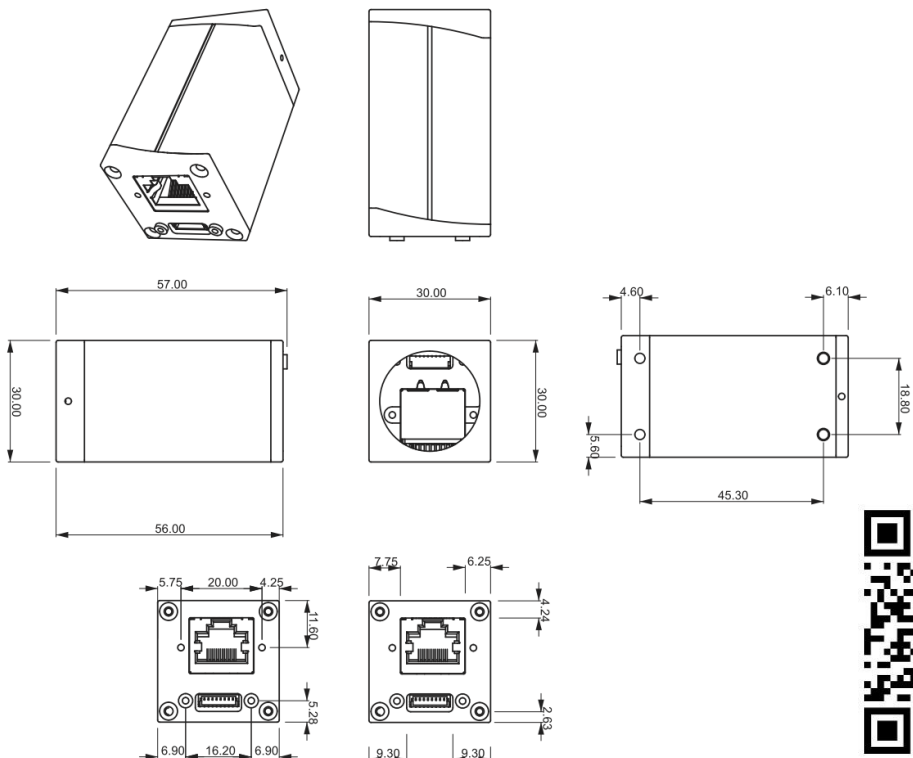
NET LIBRARY OPTIONS

Funktion	FPGA Option ¹⁾	Basic (LX45)		Standard (LX75)		Advanced (LX100)	
		Color	Mono	Color	Mono	Color	Mono
Color Calibration		✓		✓		✓	
5x5 De-Bayering		✓		✓		✓	
Frame Transfer Request		✓	✓	✓	✓	✓	✓
Geometrical Correction (GC)				✓	✓	✓	✓
Flatfield Correction (FFC)				✓	✓	✓	✓
Defect Pixel Correction (DPC)				✓	✓	✓	✓
Bayer Channel Compensation (BCC)			✓		✓		✓
Canny Edge Detection				✓	✓	✓	✓
2D Down Scaling				✓	✓	✓	✓
High Dynamic Range (HDR) ²⁾				✓	✓	✓	✓
Polarized Sensor							✓

- 1) DDR3 memory size: LX45 = 1 GB, LX75 = 2 GB, LX100 = 4 GB
 2) for GP2239C/M

NET Open Camera Concept: configurable custom module

LAYOUT



Unit: mm

