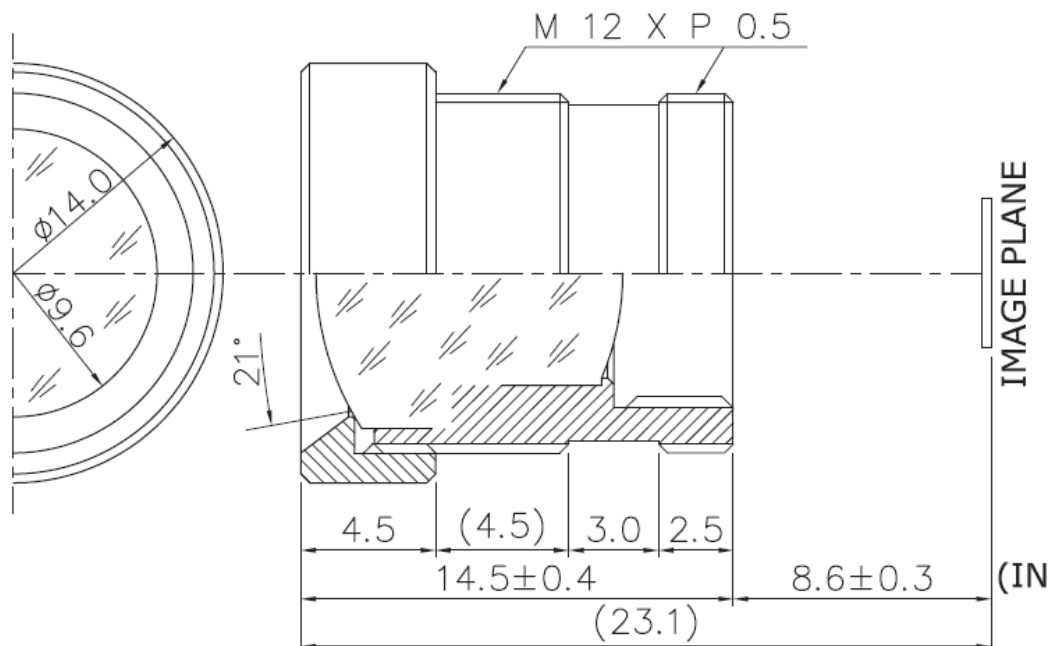


L-M12-1M16020S20

S-Mount Lens M12 x 0.5

1. SENSING AREA : 1/2"
2. FOCAL LENGTH : 16.0MM ± 5%
3. BACK FOCAL LENGTH : 12.3MM ± 5% (IN AIR)
4. MAXIMUM RELATIVE APERTURE : 2.0± 5%
5. IRIS : FIXED
6. LENS CONSTRUCTION : 3COMPONENTS 3ELEMENTS
7. ANGULAR FIELD OF VIEW :

DIAGONAL	27.8°
HORIZONTAL	22.1°
VERTICAL	16.8°
8. MINIMUM OBJECT DISTANCE : 20 CM -00
9. WEIGHT : 4.2g



Rev. 1.01-MMJJ

Please note that all data and illustrations are subject to error, change and omissions without notice.