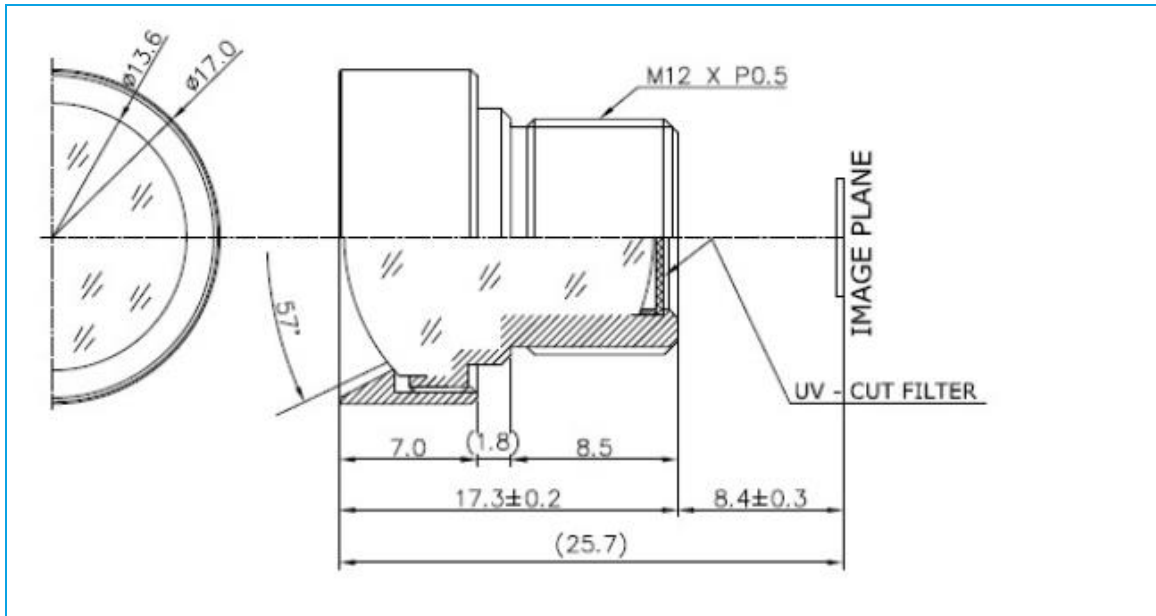


L-M12-3M08020S20U

S-Mount Lens M12 x 0.5



Technical Data

Image Format	1/2 inch Sensor
Mount Type	S-Mount
Megapixel	MP
Focal Length	8 mm
Back Focal Length	9.1 mm
Aperture	F 2
IR Correction	UV Cut 486,1nm-890nm
IR Cut	No
Field Angle (D/H/V)	57° / 46° / 35°