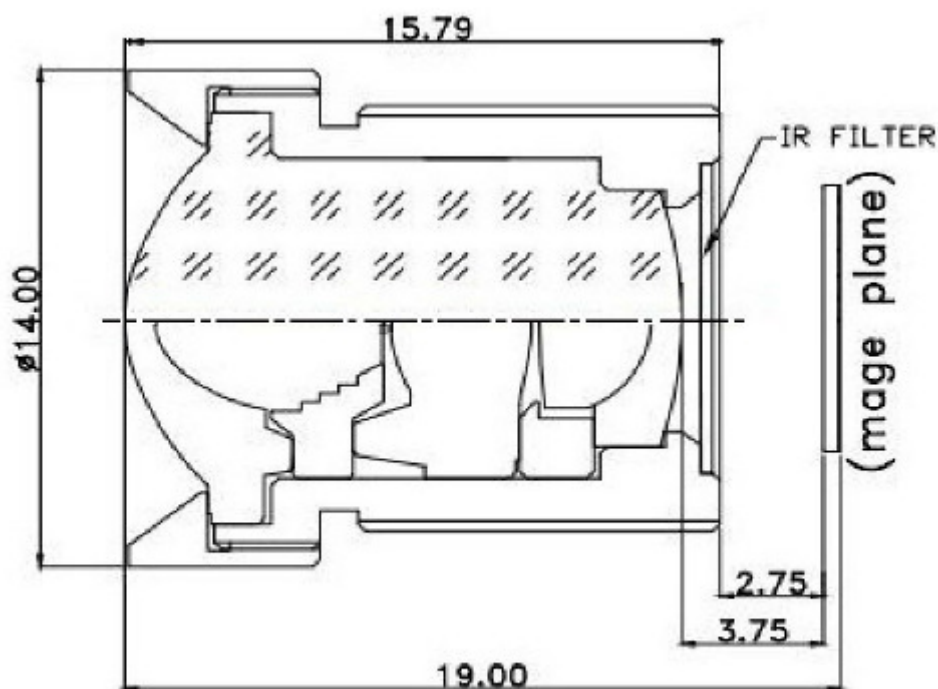


L-M12-5M03528S25C

S-Mount Lens M12 x 0.5

IMAGE FORMAT	1/2.5"
FOCAL LENGTH	3.5mm
F.O.V.	90°(D)
	80°(H)
	65°(V)
RESOLUTION	5 MP
DISTORTION	<-0.4%
APERTURE	F2.8
MOUNT	M12x0.5
IRIS	Fixed
M.O.D.	0.1m
T.T.L.	19mm
DIMENSION	Φ14x15.79mm
LENS COMPONENT	2G+2P+IR



Rev. 1.01-MMJJ

Please note that all data and illustrations are subject to error, change and omissions without notice.