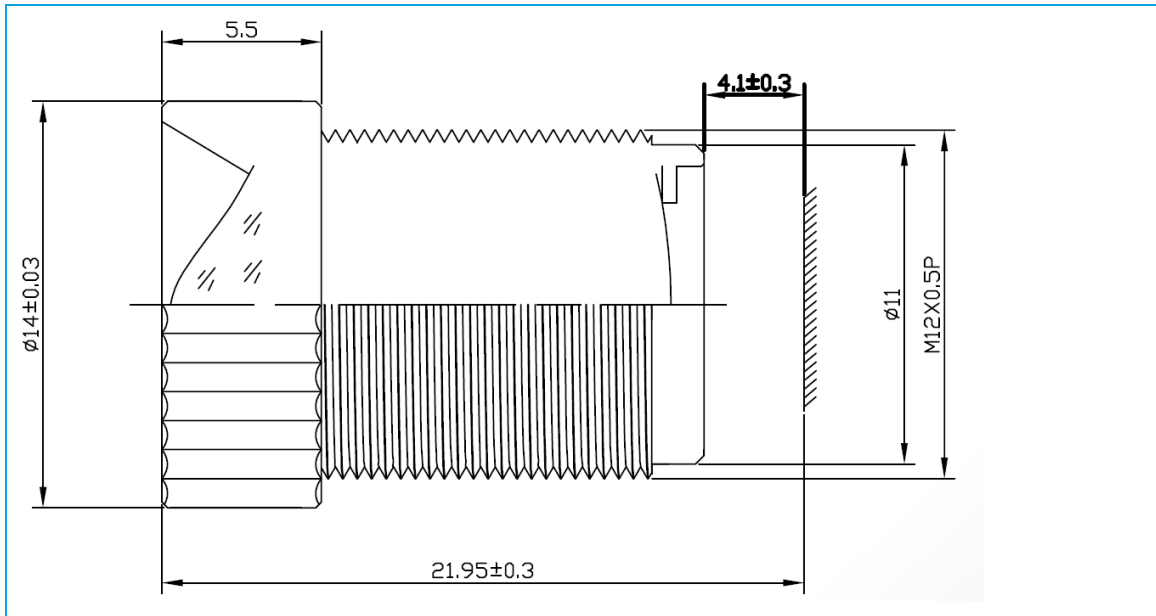


L-M12-5M04130S25

S-Mount Lens M12 x 0.5



Technical Data

Mount	S-Mount
Sensor	1/2.5 inch
Focal Length	4.14 mm
Aperture	3
MOD	0.2 m
Back Focal	5.25 mm
Angle of View	D:81.1° H:68.8° V:54.4°
Megapixel	5 MP
Distortion	0.2 %
Weight	8.3 g
Iris	fixed
Focus	fixed
Typ	Standard