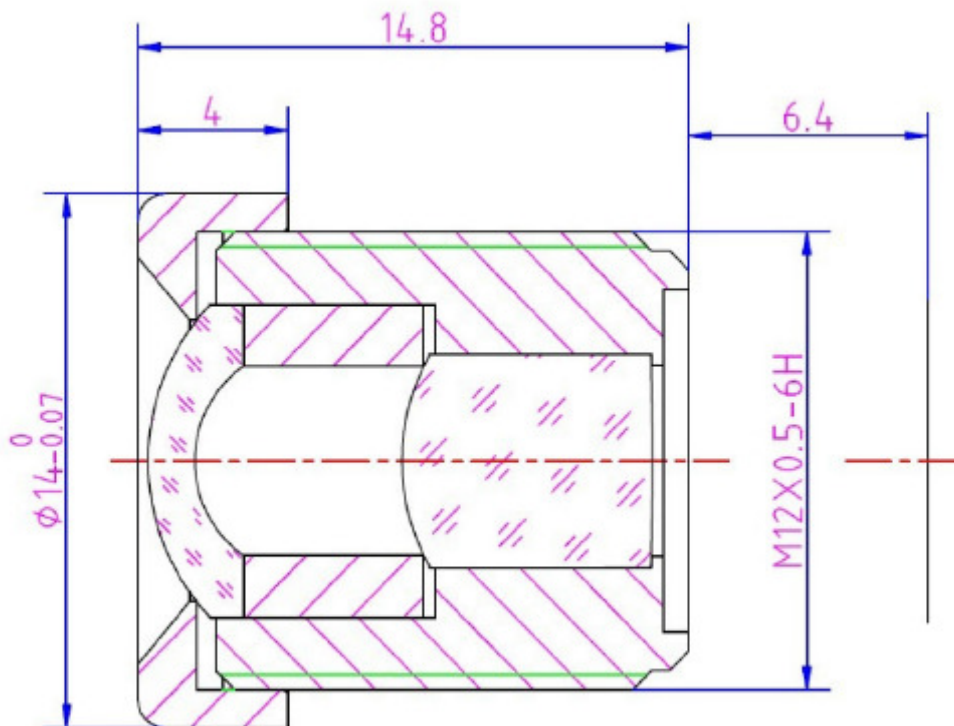


L-M12-5M06020S20

S-Mount Lens M12 x 0.5

IMAGE FORMAT	1/2"
FOCAL LENGTH(mm)	6.0
F.O.V.	78°(D)
	66°(H)
	46°(V)
RESOLUTION	5 MP
DISTORTION	15%
APERTURE	2.0
MOUNT(mm)	M12x0.5
IRIS	Fixed
M.O.D.(m)	0.1
T.T.L.(mm)	21.2
DIMENSION(mm)	Φ14x14.8



Rev. 1.01-MMJJ

Please note that all data and illustrations are subject to error, change and omissions without notice.