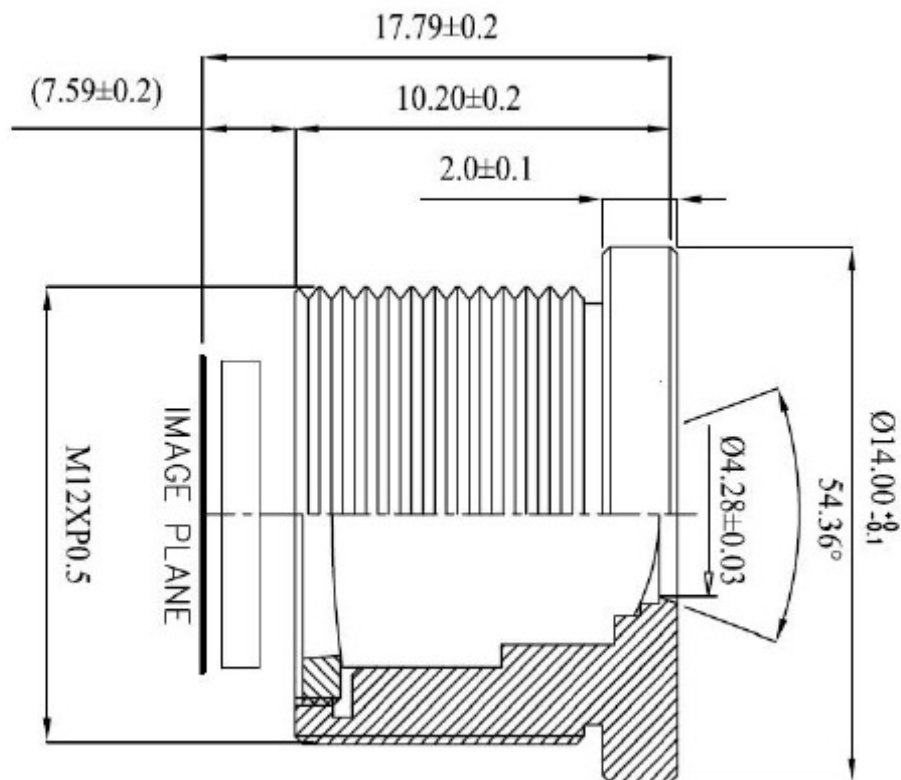


# L-M12-5M12028S230

S-Mount Lens M12 x 0.5

IMAGE FORMAT(mm)	2/3"
FOCAL LENGTH(mm)	12
F.O.V.	51°(D)
	40°(H)
	29°(V)
RESOLUTION	5 MP
DISTORTION	<-1.5%
APERTURE	2.8
MOUNT(mm)	M12x0.5
IRIS	Fixed
T.T.L.(mm)	18.05
DIMENSION(mm)	Φ14x10.2
LENS COMPONENT	6G



Rev. 1.01-MMJJ

Please note that all data and illustrations are subject to error, change and omissions without notice.