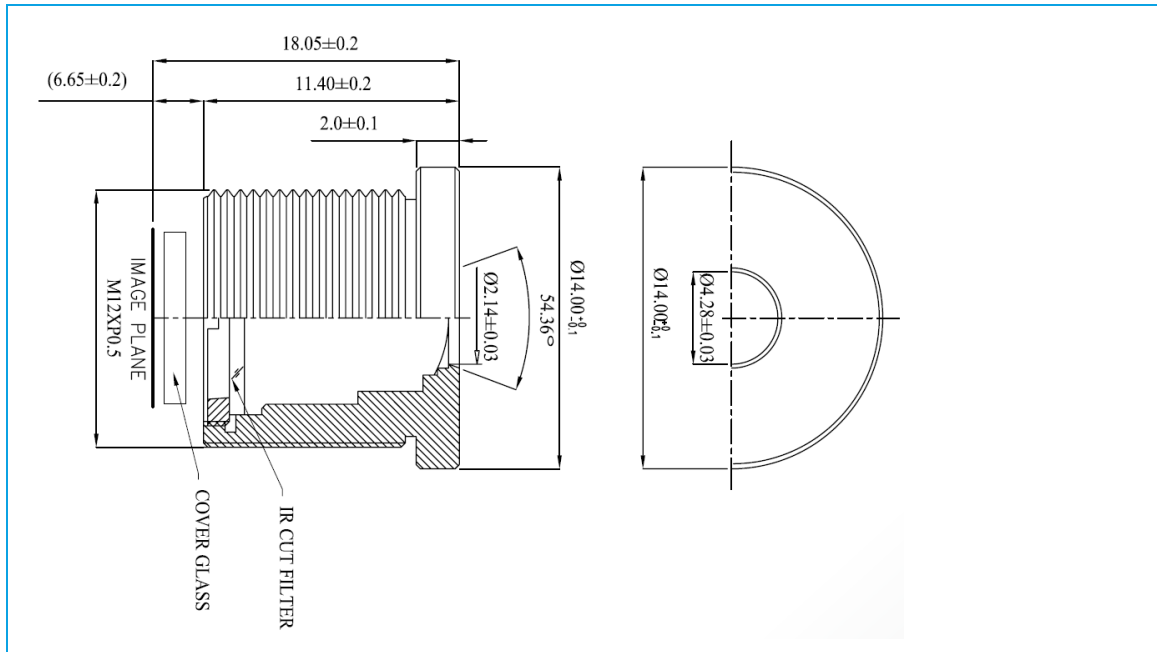


# L-M12-5M12056S18C

S-Mount Lens M12 x 0.5



## Technical Data

Mount	S-Mount
Sensor	1/1.8 - 1/2 inch Sensor
Focal Length	12 mm
Aperture	5.6
MOD	0.1 m
Back Focal	8.567 mm
Angle of View	D:41° H:34.4° V:23.2°
Megapixel	5 MP
IR Cut Filter	Yes
Distortion	-1.75 %
Iris	fixed
Focus	fixed
Filter	50% @ 650nm
Typ	Standard