

# PLD SERIES

## Direct linear lights projectors

PLD19.01

Leds bar projector that produces a great contrast and emphasizes textures, relieves and fissures of the inspected object. It operates punctually lighting because any relief, even the smallest one, produces a shadow.

### ► Technical specifications<sup>1</sup>

Lighting model	PLD0602B	PLD1002A	PLD1302B	PLD1802A	PLD2602A
Dimensions	86x20x24	122x20x24	150x20x24	201x20x24	280x20x24
Active surface	64x16	100x16	128x16	180x16	259x16
RWD (mm)	>50	>50	>50	>50	>50
Weight	80g	98g	125g	150g	205g
IP rating	IP40 <sup>2</sup>	IP40 <sup>2</sup>	IP40 <sup>2</sup>	IP40 <sup>2</sup>	IP40 <sup>2</sup>
Mounting holes	(x3)(x2)M4 x 6	(x3)(x2)M4 x 6	(x3)(x2)M4 x 6	(x3)(x2)M4 x 6	(x3)(x2)M4 x 6
Connection	2P male chassis connector PIN 1 = +24V ±3% PIN 2 = 0V	2P male chassis connector PIN 1 = +24V ±3% PIN 2 = 0V	2P male chassis connector PIN 1 = +24V ±3% PIN 2 = 0V	2P male chassis connector PIN 1 = +24V ±3% PIN 2 = 0V	2P male chassis connector PIN 1 = +24V ±3% PIN 2 = 0V
Power cable (Not-included)	VCB Series	VCB Series	VCB Series	VCB Series	VCB Series
Modifiers <sup>3</sup>	N/A	N/A	N/A	N/A	N/A
Accessories <sup>4</sup>					
iBlueDrive tech.	inline	inline	inline	inline	inline
iBlueDrive connection	3P aerial male inline connector. L= 715mm. PIN 1 = +24V ±8% PIN 2 = 0V PIN 3 = Control <sup>5</sup>	3P aerial male inline connector. L= 715mm. PIN 1 = +24V ±8% PIN 2 = 0V PIN 3 = Control <sup>5</sup>	3P aerial male inline connector. L= 715mm. PIN 1 = +24V ±8% PIN 2 = 0V PIN 3 = Control <sup>5</sup>	3P aerial male inline connector. L= 715mm. PIN 1 = +24V ±8% PIN 2 = 0V PIN 3 = Control <sup>5</sup>	3P aerial male inline connector. L= 715mm. PIN 1 = +24V ±8% PIN 2 = 0V PIN 3 = Control <sup>5</sup>
iBlueDrive power cable (Not-included)	VCC Series	VCC Series	VCC Series	VCC Series	VCC Series
iBlueDrive accessories <sup>4</sup>					

### ► Instantaneous consumption<sup>6</sup> (max.)

\*WT

Lighting model	PLD0602B	PLD1002A	PLD1302B	PLD1802A	PLD2602A		
TYPE C 24VDC		1.3W	2.5W	3W	4.2W	5W	-470C
		0.6W	1.3W	1.4W	2.2W	2.5W	-525C
		1.8W	3.5W	2.9W	5.8W	7W	-630C
		2.2W	2.2W	3.6W	3.6W	4.3W	-850C
TYPE P D <sub>max</sub> = 1/2 Ton max= 60s		1.6W	3.1W	3.7W	5.3W	6.4W	-365P
		1.6W	3.1W	3.7W	5.3W	6.4W	-400P
		1.6W	3.1W	3.7W	5.3W	6.4W	-W00P
TYPE S D <sub>max</sub> = 1/20 Ton max= 2ms		265mA/6.4W	530mA/13W	615mA/15W	880mA/21W	1055mA/25W	-365S
		265mA/6.4W	530mA/13W	615mA/15W	880mA/21W	1055mA/25W	-400S
		265mA/6.4W	530mA/13W	615mA/15W	880mA/21W	1055mA/25W	-470S
		165mA/4W	330mA/7.9W	385mA/9.2W	550mA/13W	660mA/16W	-525S
		265mA/6.4W	530mA/13W	615mA/15W	880mA/21W	1055mA/25W	-630S
		625mA/15W	625mA/15W	1045mA/25W	1045mA/25W	1255mA/30W	-850S
		265mA/6.4W	530mA/13W	615mA/15W	880mA/21W	1055mA/25W	-W00S
		CUS	CUS	CUS	400mA/10W channel	CUS	-RGBS
TYPE i <sup>7</sup> 		1.3W[7.7W/1.1W]	2.2W[15W/1.6W]	3.2W[17W/2.5W]	3.4W[24W/2.4W]	3.9W[29W/2.8W]	-365i
		1.9W[7.7W/1.2W]	3.4W[15W/1.9W]	3.8W[17W/2.2W]	5.3W[24W/2.9W]	6.2W[29W/3.4W]	-400i
		1.8W[7.7W/1.3W]	3.1W[15W/2.2W]	3.5W[17W/2.5W]	4.8W[24W/3.4W]	5.7W[29W/3.9W]	-470i
		1.5W[4.1W/1.1W]	2.6W[7.7W/1.6W]	3W[8.9W/1.8W]	4.1W[12W/2.4W]	4.8W[15W/2.8W]	-525i
		2.6W[7.7W/1.9W]	4.8W[15W/3.4W]	5.5W[17W/3.8W]	7.7W[24W/5.3W]	9.1W[29W/6.2W]	-630i
		4.4W[15W/2.6W]	4.4W[15W/2.6W]	7.1W[24W/4.1W]	7.1W[24W/4.1W]	8.4W[29W/4.8W]	-850i
		1.9W[7.7W/1.2W]	3.4W[15W/1.9W]	3.8W[17W/2.2W]	5.3W[24W/2.9W]	6.2W[29W/3.4W]	-W00i

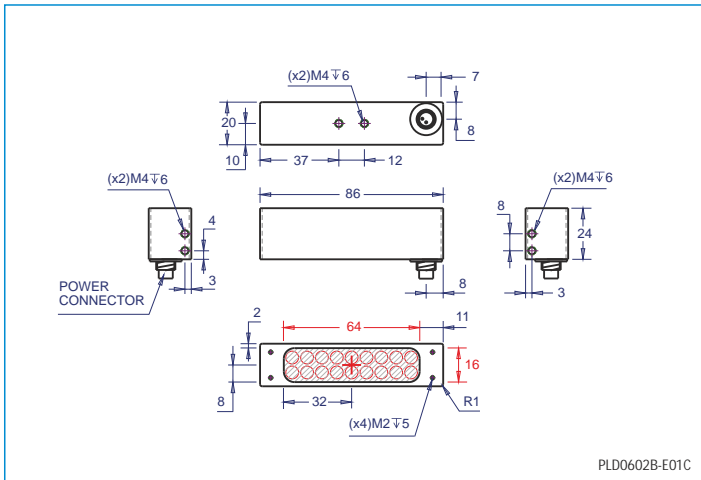
N/A= Not available CUS = Custom

(1) Environmental specifications and iconography legend in additional annex Z1.4 and Z2 respectively.  
 (2) IP43 if the system is positioned so that the light falls vertically.  
 (3) Prior to manufacturing optional modifications in standard lighting systems. Please, consult the code before ordering (additional annex Z2.1).

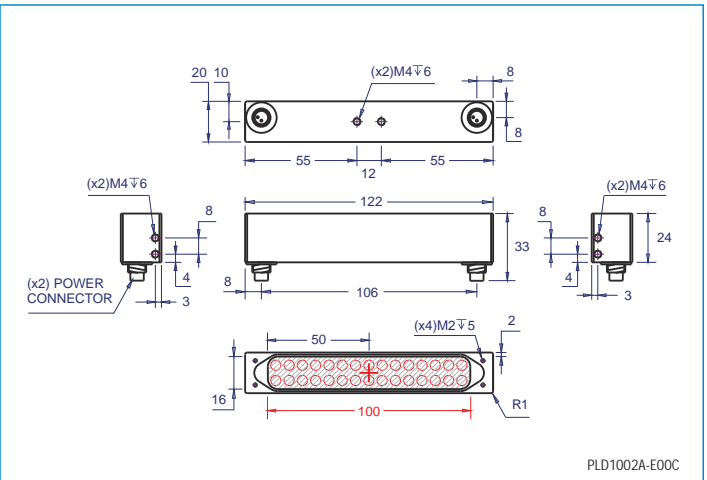
(4) Accessories are not-included. More information in accessories section.  
 (5) iBlueDrive control input wiring specifications in additional annex Z1.2.  
 (6) Bear in mind that consumption table is only to be used as a guide. To refer to real values, please, consult product label when purchasing.  
 (7) Values of maximum instantaneous consumption of 'Type i' lighting systems in Powered mode [Strobe mode / Continuous mode]



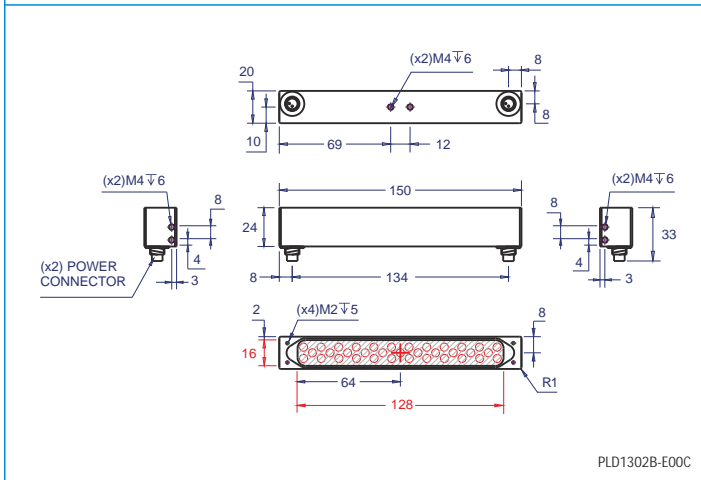
# PLD SERIES



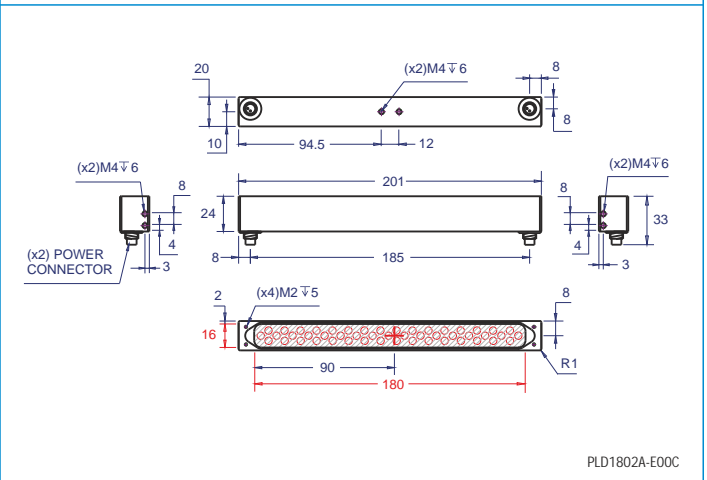
PLD0602B-E01C



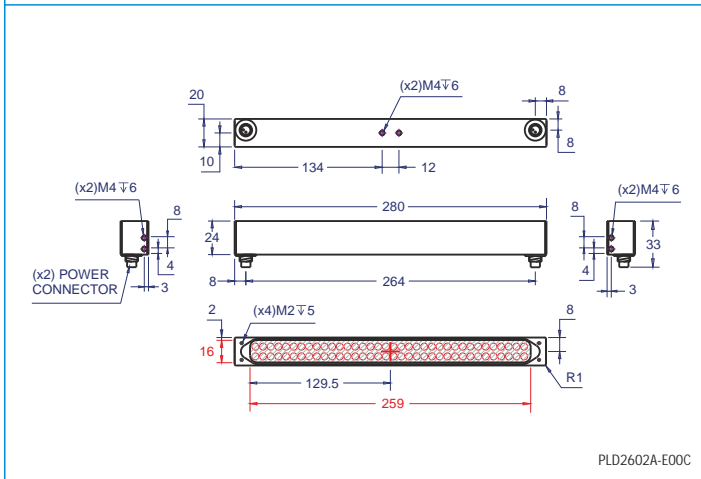
PLD1002A-E00C



PLD1302B-E00C

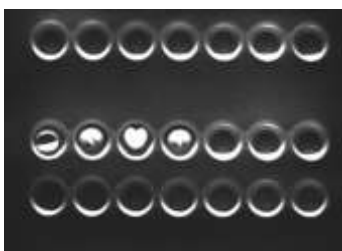


PLD1802A-E00C

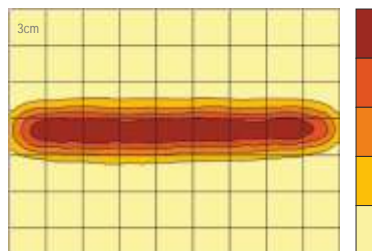


PLD2602A-E00C

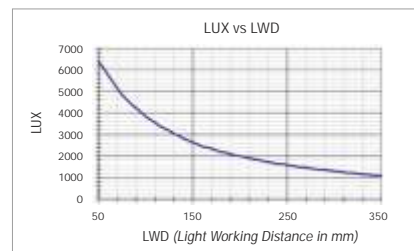
All units in millimeters, if not indicated.



Example of PLD captured image



Brightness distribution of PLD2602A-630C@50mm



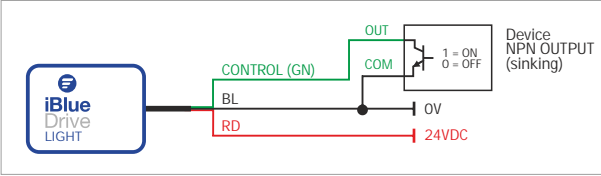
PLD2602A-630C light intensity.



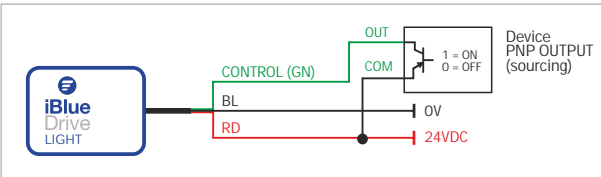
► Z1.2 - iBlueDrive control input wiring

All iBlueDrive products come together with a quick-start guide for connection and working conditions. Refer to iBlueDrive Manual for extended information.

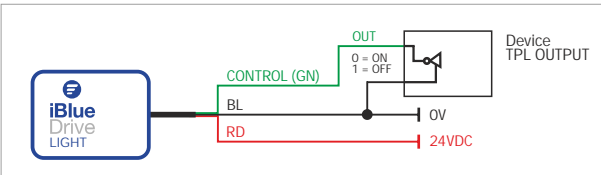
*NPN wiring for strobe or ON/OFF mode*



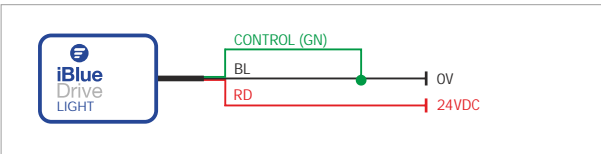
*PNP wiring for strobe or ON/OFF mode*



*TTL wiring for strobe or ON/OFF mode*

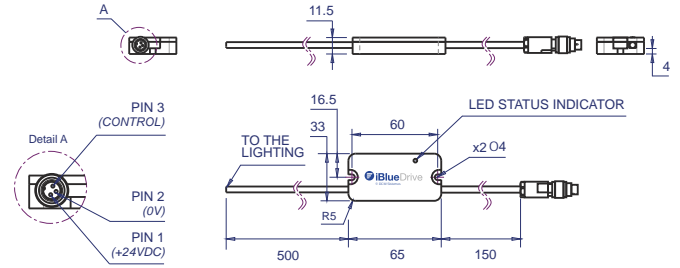


*Wiring for continuous mode*



► Z1.3 - iBlueDrive inline

iBlueDrive inline is the driver for iBlueDrive technology integrated as a box of 65x33mm to the cable that goes from the lighting system to the connector. It is used when iBlueDrive driver can not be integrated on chassis. See diagram:



**WARNING!** In continuous and powered mode, clamp driver to a metal surface for heat dissipation. In Strobe mode is not required, but recommended.



► Z1.4 - Environmental Specifications

Max. Operating Humidity	85% non-condensing
Operating Temperature	0 - 40°C
Storage Temperature	0 - 60°C
Housing material	Anodized aluminium
Standards	

► Z2.1 - Modifiers legend

icon	Description	Code
	Narrow angle of emission	/AN
	Medium angle of emission (By default)	/AM
	Wide angle of emission	/AW
	Oval angle of emission = 23-24° (x) 17-18° (y)	/AO
	Diffuse emission	/AD
	Polarizer filter	/FPL
	Diffuser filter	/FDR
	Dome hole of 46mm	/CC1
	Dome hole of 40mm	/CC2
	IP Rating = IP67	/67
	PNP input model	/P
	50mm focal Length	/F1
	150mm focal Length	/F2
	Infinite focal Length	/F3

► Z2.2 - Accessories legend

icon	Description	Serie
	Power cable/s	VCB, VCC, VCD Series
	Other cable/s	VCU, VCL
	Strobe and RGB controller/s	VST, VSC Series
	Polarizer filter	VPF, VPC
	Diffuser filter	VDF
	Collimater filter on x axis	VCFx
	Collimater filter on y axis	VCFy
	Collimater filter on xy axis	VCFxy
	Darkfield converter	VRF
	Protector filter	VPT
	Heat dissipator	VHD
	Fixing bracket	VBA, VBB, VBC Series

► Z2.3 - iBlueDrive Accessories legend

icon	Description	Serie/Product
	Accessorie to configure iBlueDrive devices: iBlueDrive Box, iBlueDrive USB	VTA0005A, VTA0006A, VTA0007A
	iBlueDrive optocoupler	VTA0020A
	iBlueDrive potentiometer	VTA0030B

► Z2.4 - Technical drawings legend

icon	Description
	Optical axis
	Viewing window dimensions
	Lighting elements
	Light emission center
	Lighting surface dimensions

► Z2.5 - Colours & Wavelegths legend

icon	Wavelength	Colour	Code
	365nm	UV-	-365
	400nm	UV	-400
	470nm	BLUE	-470
	525nm	GREEN	-525
	630nm	RED	-630
	850nm/880nm	IR	-850/-880
		WHITE	-W00
		RGB	-RGB

► Z2.6 - Types of lighting legend

icon	Description
	Radial lighting
	'Darkfield' lighting effect. Low angle illumination
	Backlight illumination
	'Cloudy day' lighting effect
	'Bright field' lighting effect
	Projector lighting
	Axial lighting

► Z2.7 - Types of light legend

icon	Description
	Direct light
	Diffuse light
	Ultra-diffuse light