

BACK LIGHT



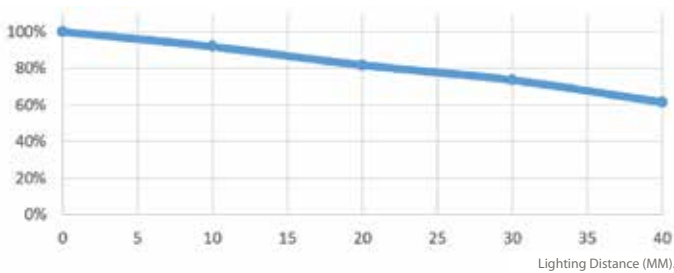
VL-CB SERIES

- Direct Chip Back Light Model.
- Highly uniform light by using high-density Chip LED.
- Ultra slim design.
- RoHS Compliant.

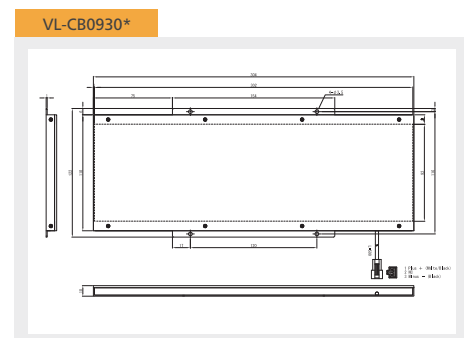
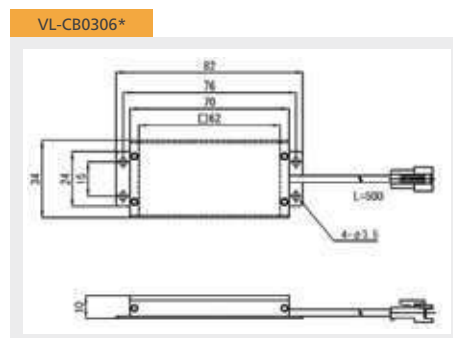
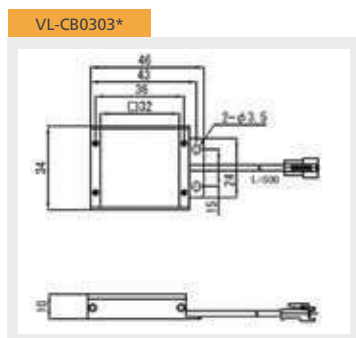
Model No.	Color	Dimension of Lighting Area (mm)	Power Consumption (Max.)	
VL-CB0303R	● Red	32 x 32	24V	
VL-CB0303W	○ White		0.6W	
VL-CB0306R	● Red	32 x 62	24V	
VL-CB0306W	○ White		0.9W	
VL-CB0606R	● Red	62 x 62	24V	
VL-CB0606W	○ White		1.1W	
VL-CB0909R	● Red	92 x 92	24V	
VL-CB0909W	○ White			1.8W
VL-CB0909B	● Blue			2.3W
VL-CB0909G	● Green			3.6W
VL-CB1212R	● Red	122 x 122	24V	
VL-CB1212W	○ White		5.2W	
VL-CB1521W	○ White	152 x 212	24V	
VL-CB1527W	○ White	152 x 272	24V	
VL-CB0930RH	● Red	92 x 302	24V	

Relative Luminance (luminance on the optical axis)

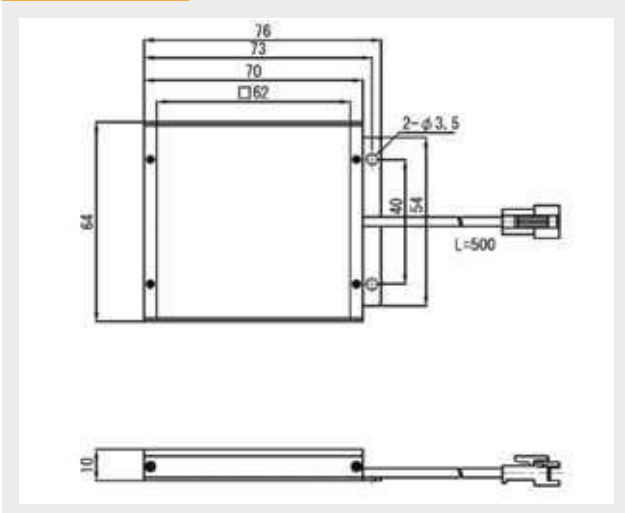
Example: VL-CB0909W (24,500lux at LWD 0mm *on surface)



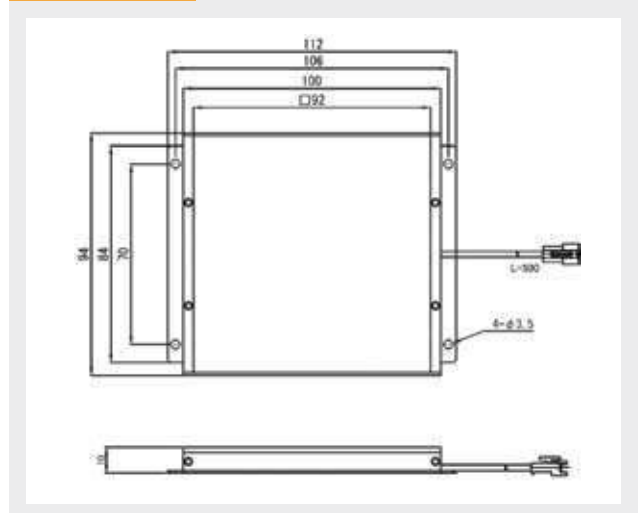
Sample image of VL-CB series. Measurement of metal parts.



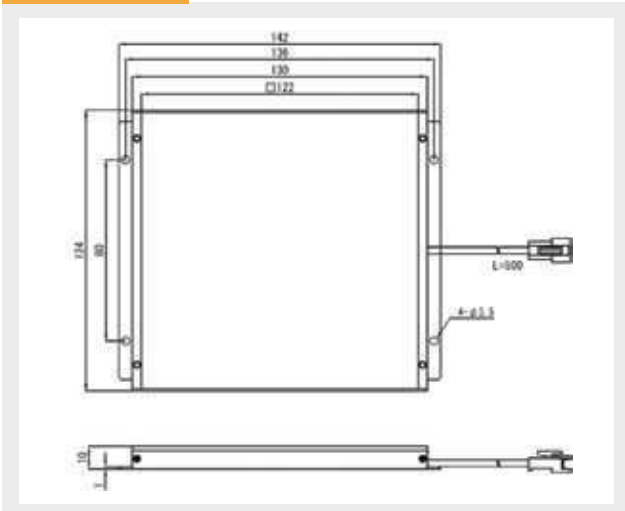
VL-CB0606*



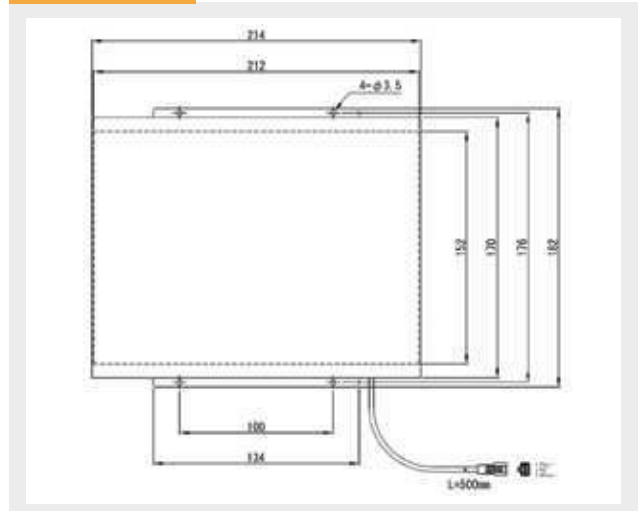
VL-CB0909*



VL-CB1212*



VL-CB1521*



VL-CB1527*

