

DIRECT RING LIGHT

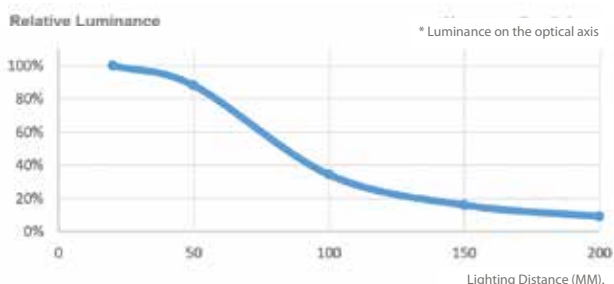
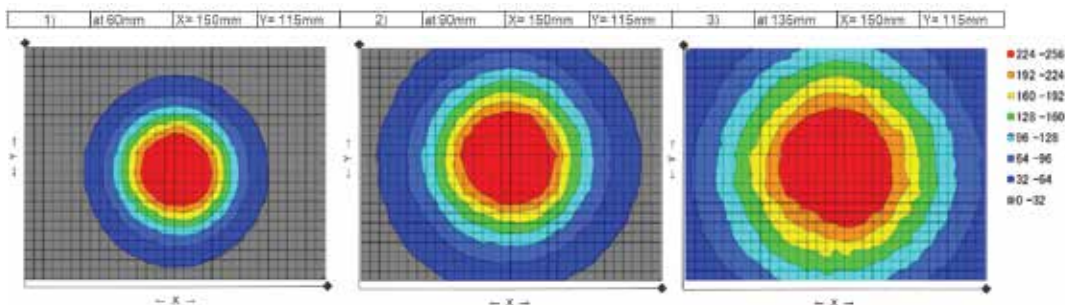


VL-DR SERIES

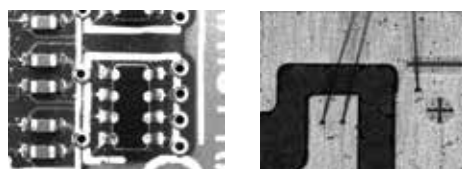
- Suitable for various inspection applications.
- Easy and flexible installation and adjustment with 360 degree lighting.
- RoHS Compliant.

Model No.	Color	Internal Ring Dia. (mm)	External Ring Dia. (mm)	Power Consumption (Max.)	Optional Parts Model No.
VL-DR1648R	● Red	φ16	φ48	24V	2.0W 3.1W 3.5W
VL-DR1648W	○ White				
VL-DR1648B	● Blue				
VL-DR2850R	● Red	φ28	φ50	24V	1.7W 2.5W 2.7W
VL-DR2850W	○ White				
VL-DR2850B	● Blue				
VL-DR3066R	● Red	φ30	φ66	24V	3.3W 5.1W 5.9W
VL-DR3066W	○ White				
VL-DR3066B	● Blue				
VL-DR5090R	● Red	φ50	φ90	24V	7.0W 10.0W 11.1W
VL-DR5090W	○ White				
VL-DR5090B	● Blue				
VL-DR3090R	● Red	φ30	φ90	24V	7.4W 10.6W 11.8W
VL-DR3090W	○ White				
VL-DR3090B	● Blue				
VL-DR60120R	● Red	φ60	φ120	24V	13.1W 17.6W 19.6W
VL-DR60120W	○ White				
VL-DR60120B	● Blue				

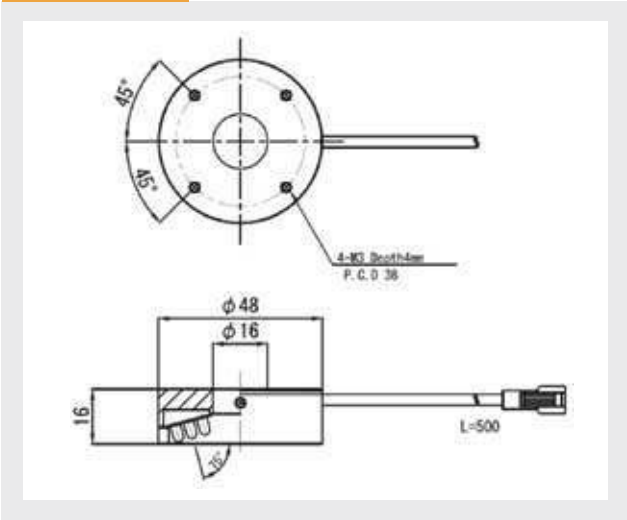
Optional Diffuser Plate For VL-DR Series



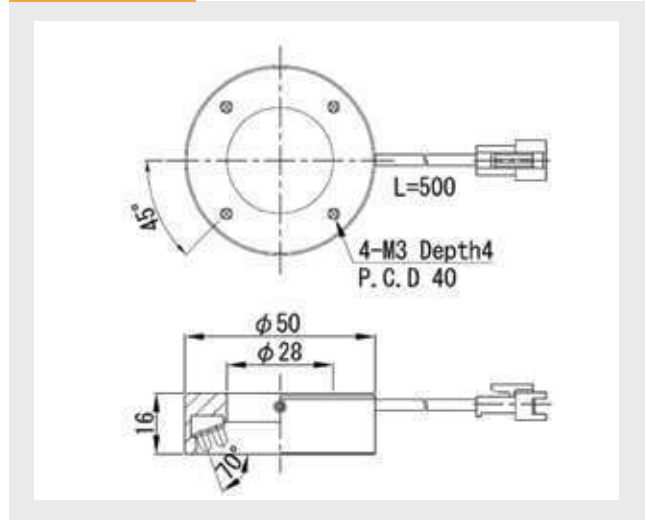
Sample Image of VL-DR.



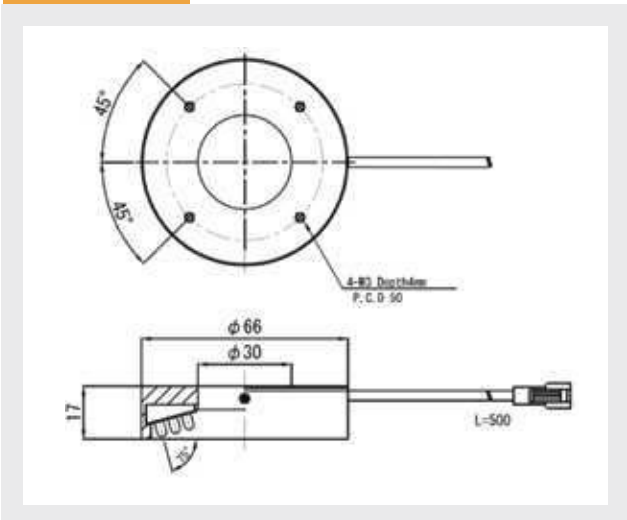
VL-DR1648*



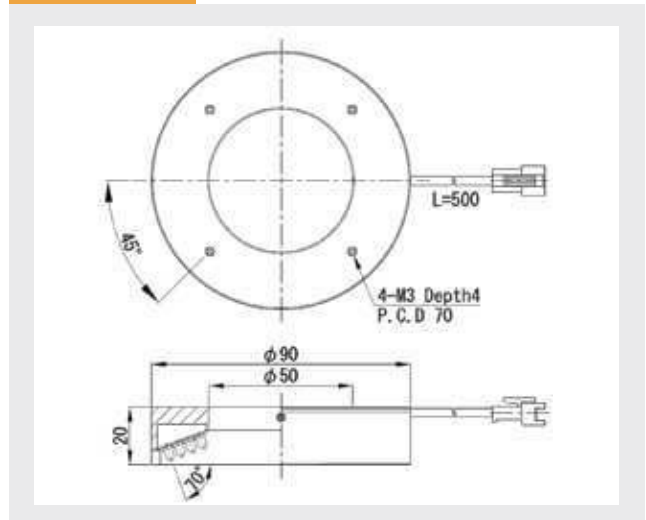
VL-DR2850*



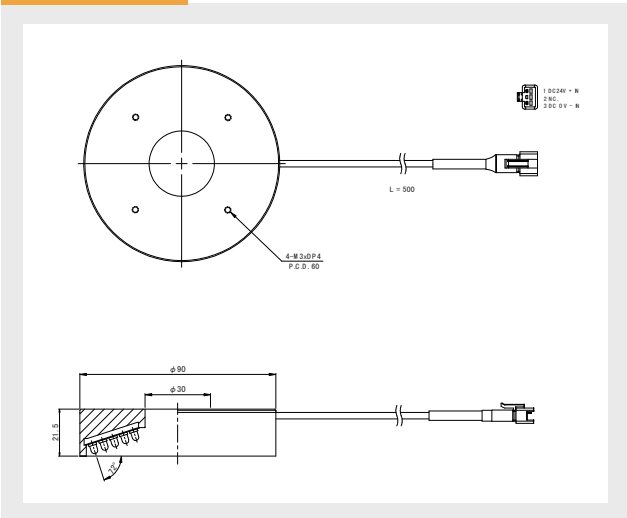
VL-DR3066*



VL-DR5090*



VL-DR3090*



VL-DR60120*

