

FLAT RING LIGHT

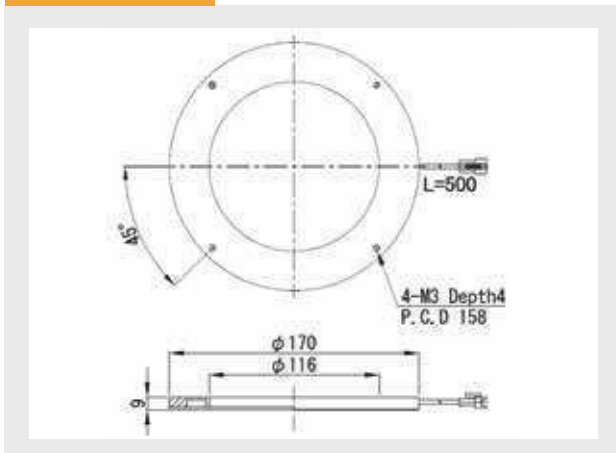


VL-FRD SERIES

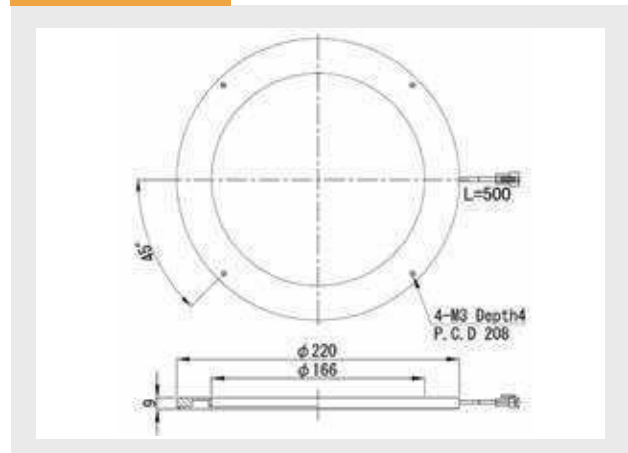
- Ultra Slim design for space constrained application.
- Suitable for large FOV application.
- Diffuser is attached as a standard package.
- RoHS Compliant.

Model No.	Color	Internal Ring Dia. (mm)	External Ring Dia. (mm)	Power Consumption (Max.)
VL-FRD116170R	● Red	φ116	φ170	24V
VL-FRD116170W	○ White			
VL-FRD116170B	● Blue			
VL-FRD166220R	● Red	φ 166	φ220	24V
VL-FRD166220W	○ White			
VL-FRD166220B	● Blue			
VL-FRD266320R	● Red	φ 266	φ320	24V
VL-FRD266320W	○ White			
VL-FRD266320B	● Blue			

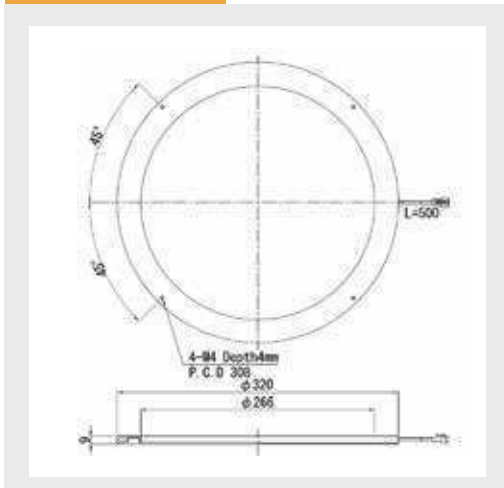
VL-FRD116170*



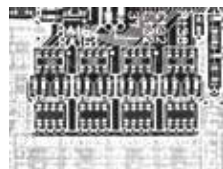
VL-FRD166220*



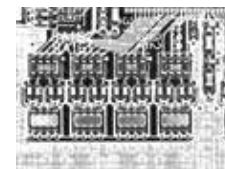
VL-FRD266320*



Sample image comparison between VL-FR*D and VL-DR model at same lighting Working Distance. VL-FRD image is more better contrast in this sample object.



Flat Ring Lighting



Direct Ring Lighting