

VS-TM Series **2/3"** **1/1.8"**

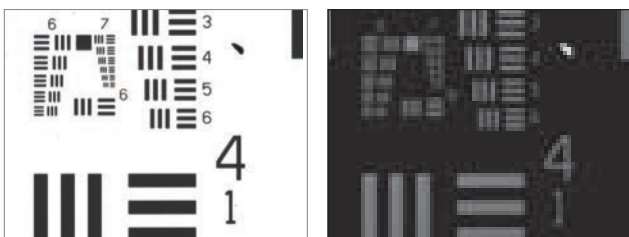
With its 10x magnification and high 0.23 numerical aperture the VS-TM series is an excellent lens to use for up close inspection. Higher magnifications of 15x and 20x are possible with the use of a rear converter lens.

Features

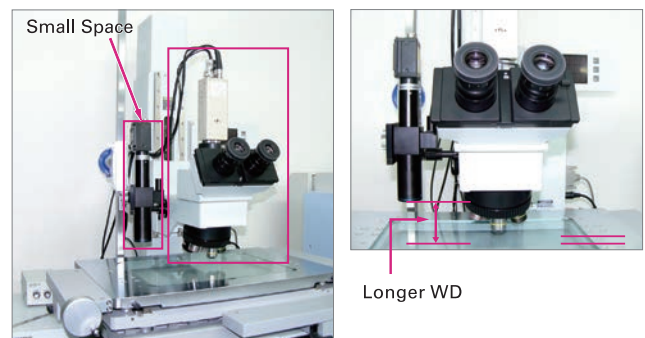
- 2/3" sensor support
- 10x Magnification
- 0.23 NA
- 55mm WD
- Telecentric design



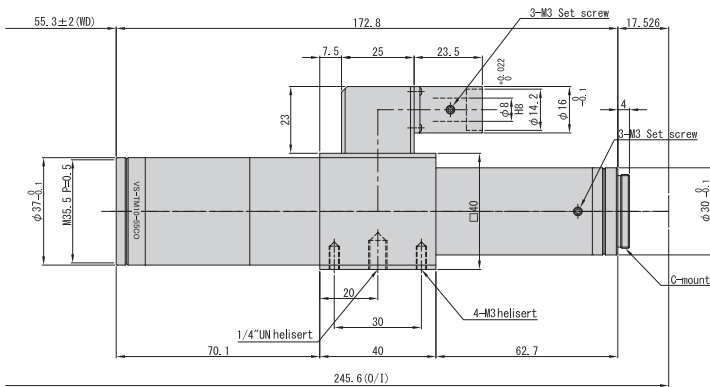
High Resolution



Compact Size



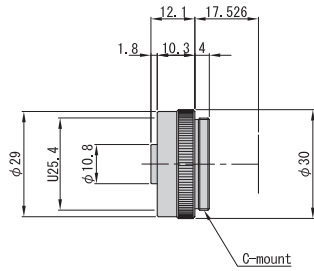
VS-TM10-55CO



Optical Mag.	10x ±5 %	
FOV(VxH)	2/3"	0.7 x 0.8 mm
	1/2"	0.5 x 0.6 mm
	1/3"	0.4 x 0.5 mm
WD	55.3 mm ± 2	
O/I (Object & Imager Distance)	245.6 mm	
Working F/#	22.0	
NA	0.23	
DOF at PCoC ϕ 0.04mm	0.02 mm	
TV Distortion (2/3")	0.08 %	
Relative Illuminance (Y=5.5)	90 %	
Wavelength	Visible	
Mount	C-Mount	
Flange Back	17.526 mm	
Sensor Size (Max)	2/3"	
Co-Axial Prism	Built-in	
Filter Thread	M 35.5 P = 0.5	
Weight (approx.)	370 g	
Dimension	ϕ 37(max.) x L = 172.8 mm	

Rear Converter Lens

VS-TM1.5X



VS-TM2.0X

